

3-IN-1 BATHROOM HEATER HEAT LAMPS, EXHAUST FAN AND LED LIGHT



Model Numbers

MBHL1000S / MBHL1000W

Features

- 2 year in-home warranty (globes excluded)
- Sleek and low profile design to suit any bathroom application
- Metal housing with heat proof glass fascia
- Built in thermal overload protection
- High airflow extraction up to 480m³/hr
- Back draft stopper included
- Cut-out template included
- Compatible with Martec bathroom remote MBHREM (not included)



2
YEAR
In-Home Warranty*

*Excludes Heat Lamps



IP Rating



High Performance
Ball Bearing Motor



Powerful Air
Steam Extraction



Radiant
Heat Tube



Ultra Quiet
Operation

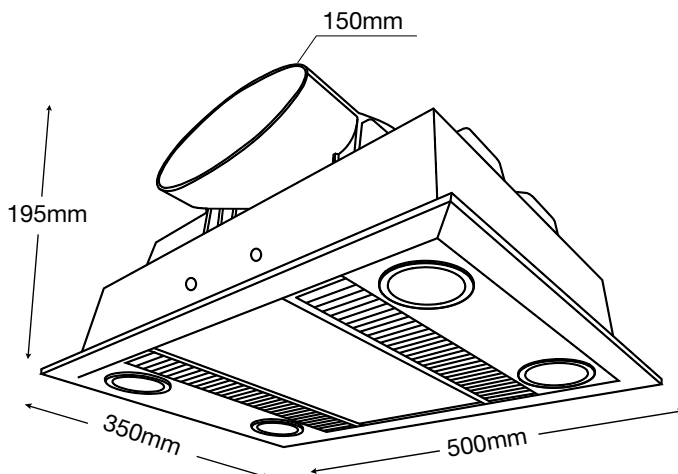


Ultra Low
Profile



Turbo Fan

DIMENSIONS



3-IN-1 BATHROOM HEATER HEAT LAMPS, EXHAUST FAN AND LED LIGHT

PACKAGING



SPECIFICATIONS

Model Name	Linear
Model Numbers	MBHL1000S Silver MBHL1000W White
Air Movement m³/hr	600m ³ /hr
Power Wattage	1064W
Voltage	220-240V 50Hz
Materials/Housing	Metal housing with heat proof glass fascia
Cutout Size	455 x 305mm
Heating wattage/type	1x 1000W R7s heat globe
Lighting wattage/type	4x 6W GU10 LED globe
Colour Temperature	3000K
Lumens Output	2510lm
Minimum Ceiling Depth	210mm
Ducting Size	150mm
Accessories Included	1x 3m duct 2x clips for ducting 1x external grille 1x 3 gang switch wall controller

INSTALLATION

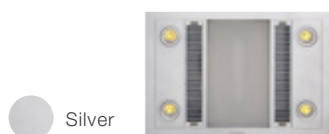
Installation	By licensed electrician only
Warranty	2 year replacement warranty


*For further information regarding warranty terms and conditions, please refer to enclosed warranty statement. Warranty is void unless installed by a licensed electrician.


SHIPPING

Packaging size	700(H) x 530(W) x 430(W) mm
Carton quantity	2
Gross weight	15kg

AVAILABLE COLOURS



Model	Colour	Barcode
MBHL1000S	Silver	 9312375500377

Model	Colour	Barcode
MBHL1000W	White	 9312375500360